

# SCO-2120R

High Resolution 12x Weatherproof IR Camera

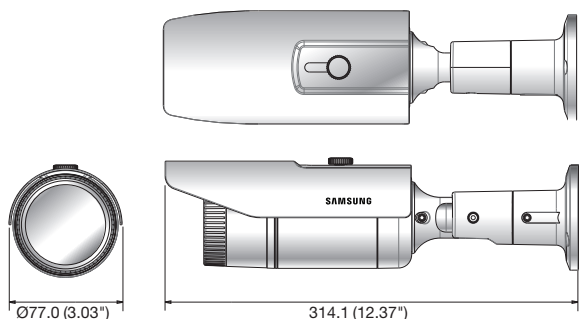


## Key Features

- High resolution of 600TV lines (Color), 700TV lines (B/W)
- Min. illumination 0Lux (IR LED On), IR distance 70m
- Powerful 12x zoom (3.94 ~ 46.05mm), Digital 16x
- True Day & Night (ICR), MD, SSSNR III
- IP66, Coax : Pelco-C (Coaxitron), RS-485, Dual power

## Dimensions

Unit : mm (inch)



## Technical Specifications

	SCO-2120RN	SCO-2120RP
<b>VIDEO</b>		
Imaging Device	1/4" Super HAD CCD II	
Total Pixels	811(H) x 508(V)	795(H) x 596(V)
Effective Pixels	768(H) x 494(V)	752(H) x 582(V)
Scanning System	2 : 1 Interlace	
Synchronization	Internal / Line lock	
Frequency	H : 15.734KHz / V : 59.94Hz	H : 15.625KHz / V : 50Hz
Horizontal Resolution	Color : 600TV lines, B/W : 700TV lines	
Min. Illumination	Color : 0.2Lux@F1.67 (50IRE), 0.0004Lux (Sens-up, 512x) B/W : 0Lux (IR LED on)	
S / N Ratio	52dB (AGC off, Weight on)	
Video Output	CVBS : 1.0 Vp-p / 75Ω composite	
<b>LENS</b>		
Focal Length (Zoom Ratio)	3.94 ~ 46.05mm (Optical 12x)	
Max. Aperture Ratio	1 : 1.67(Wide) ~ 1.88(Tele)	
Angular Field of View	H : 51.54°(Wide) ~ 4.5°(Tele) / V : 39.24°(Wide) ~ 3.38°(Tele)	
Min. Object Distance	1.8m (5.91ft)	
Focus Control	Auto / Manual / One shot	
Zoom Movement Speed	1.9sec (Wide to tele)	
<b>OPERATIONAL</b>		
On Screen Display	English, Japanese, Spanish, French, Portuguese, Taiwanese, Korean	English, French, German, Spanish, Italian, Chinese, Russian, Polish, Czech, Romanian, Serbian, Swedish, Danish, Turkish, Portuguese
Camera Title	On / Off (Displayed 15 characters)	
Day & Night	Auto (ICR) / Color / B/W	
Backlight Compensation	Off / BLC / HLC	
Dynamic Range	SSDR (Off / On)	
Digital Noise Reduction	SSNR III (Off / On)	
Digital Image Stabilization	Off / On	
Motion Detection	Off / On (8 programmable zones)	
Privacy Masking	Off / On (12 programmable zones)	
Sens-up (Frame Integration)	2x ~ 512x	
Gain Control	Off / Low / Medium / High / Manual	
White Balance	ATW / Outdoor / Indoor / Manual / AWC (1,700K° ~ 11,000K°)	
Electronic Shutter Speed	1/60 ~ 1/120,000sec	1/50 ~ 1/120,000sec
Digital Zoom	Off / On (1x ~ 16x)	
Reverse	Off / On	
Communication	Coaxial control (SPC-300 compatible), RS-485	
Protocol	Coax : Pelco-C (Coaxitron) RS-485 : Samsung-T/E, Pelco-D/P, Panasonic, Bosch, Honeywell, Vicon, AD	
IR Distance	70m (850nm IR LED : 31ea)	
<b>ENVIRONMENTAL</b>		
Operating Temperature / Humidity	-10°C ~ +50°C (+14°F ~ +122°F) / Less than 90% RH	
Ingress Protection	IP66 Grade	
<b>ELECTRICAL</b>		
Input Voltage / Current	Dual (24V AC & 12V DC ±10%)	
Power Consumption	Max. 6.8W / 6.5W (IR LED on)	
<b>MECHANICAL</b>		
Color / Material	Dark gray / ALDC	
Dimensions (WxHxD)	Ø77.0 x 274.7mm (Ø3.03" x 10.81") (Bracket angle 90°), 314.1mm (12.37") (Bracket angle 180°)	
Weight	1.2Kg (2.65 lb)	

\* The latest product information / specification can be found at [www.samsungsecurity.com](http://www.samsungsecurity.com)